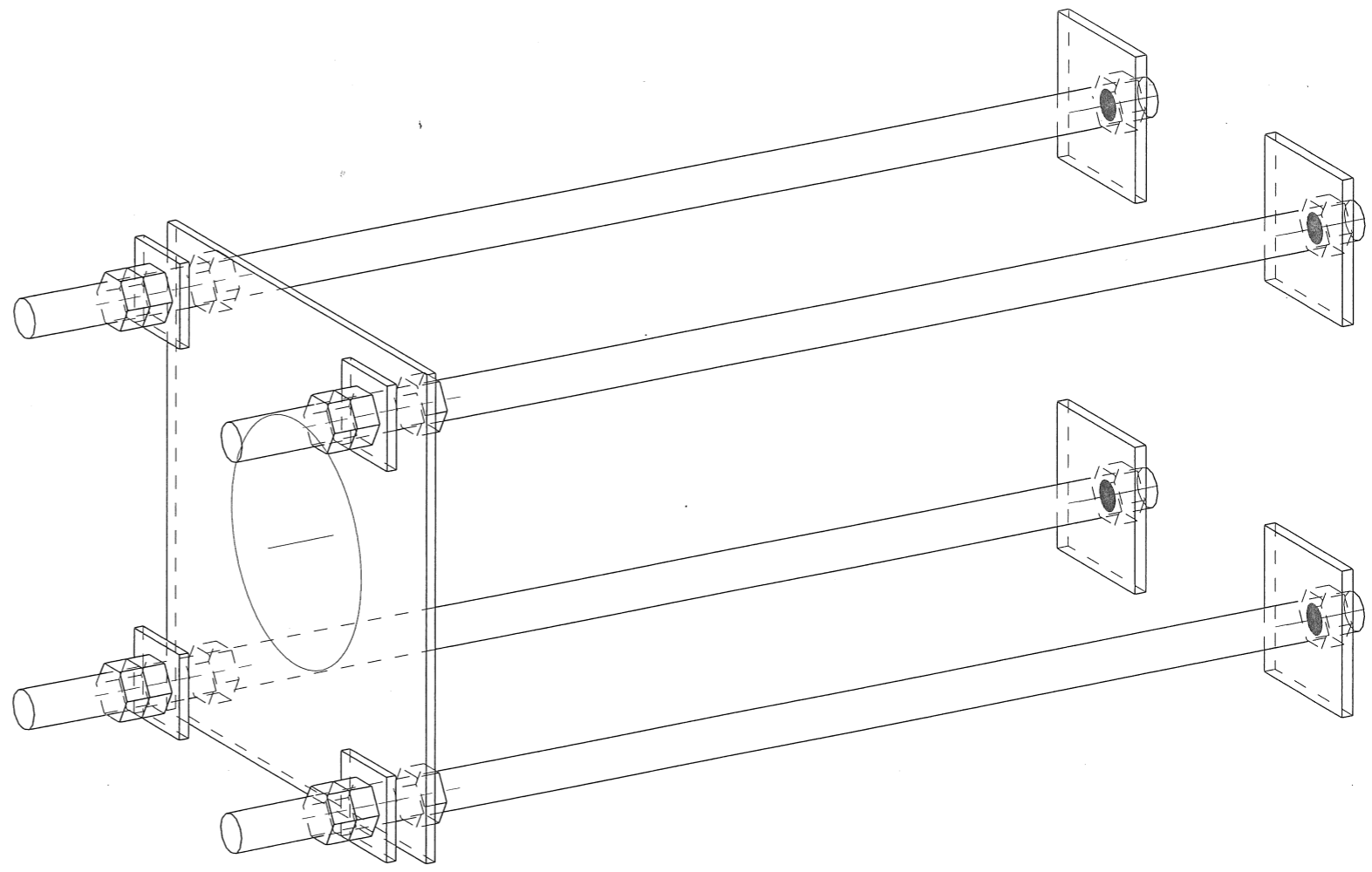
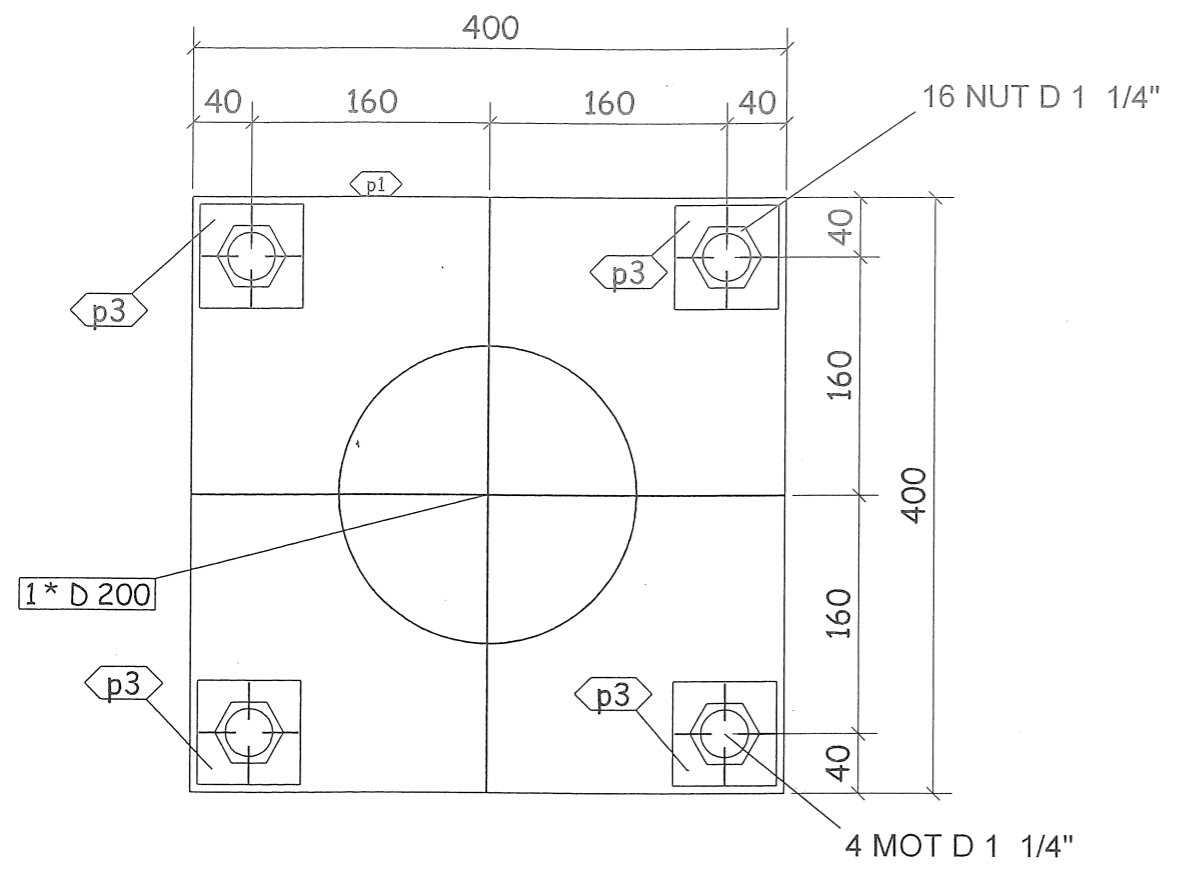
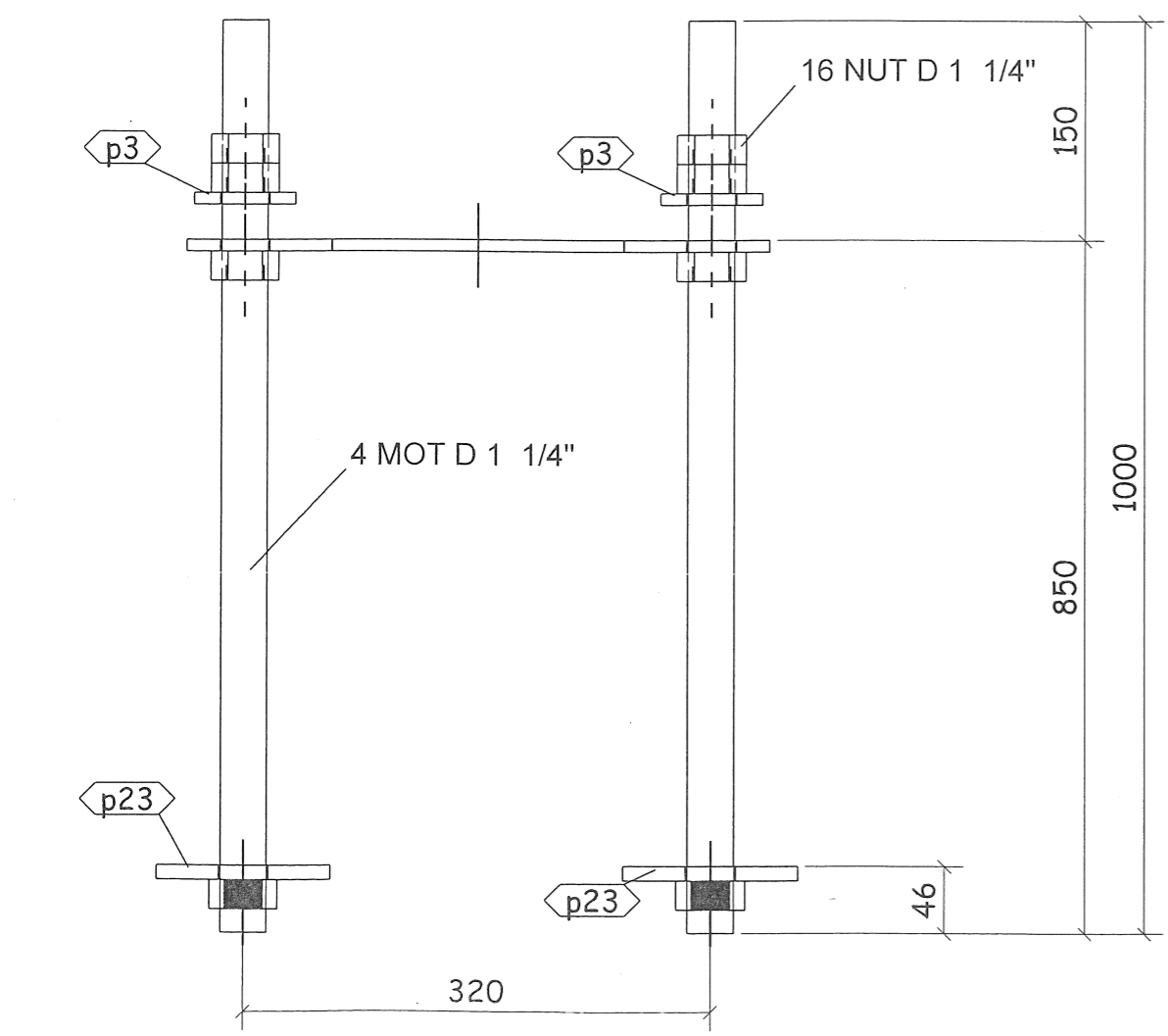
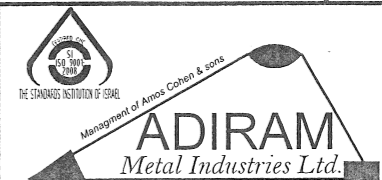


SHOP MATERIAL LIST FOR I ASSEMBLY						
MARK	PROFILE	GRADE	QTY	LENGTH (mm)	AREA (cm <sup>2</sup> )	WEIGHT (kg)
NUT M20	41	ST-37	16	20	0.092	3.66
a4	ROD 32	ST-37	4	1000	0.404	24.12
p1	PLT8*400	ST-37	1	400	0.333	10.05
p3	FLT8*70	ST-37	4	70	0.048	1.23
p23	FLT10*120	ST-37	4	120	0.134	4.52
TOTAL					1.011	43.6



3D View



QTY 2 PCS REQUIRED AS DRAWN MARKED		ABI	GALVANIZED	-YES	
			COLOR	-YES	
CLIENT:	IRIAT NETIVOT				
PROJECT:	AMUD MAAVAR HAZAYA				
GENERAL NOTES:	DRAWN: GRISHA		 <small>Industrial Area, P.O.B.192 Netivot Zip 80200, Israel Tel: +972-8-9931333-4-5 Fax: +972-8-9945585 Email: office@adiram.co.il</small>		
ALL WELDS 0.7 OF MIN PLT THICKNESS	CHECKED: YURI				
ALL HOLES 18 MM DIAM UNO	DATE: 08.04.2014				
TOTAL WEIGHT 43.57 KG.					
STEEL GRADE ST-37			Job No.	/ DWG No.	/ REV
			51	/ ABI	/