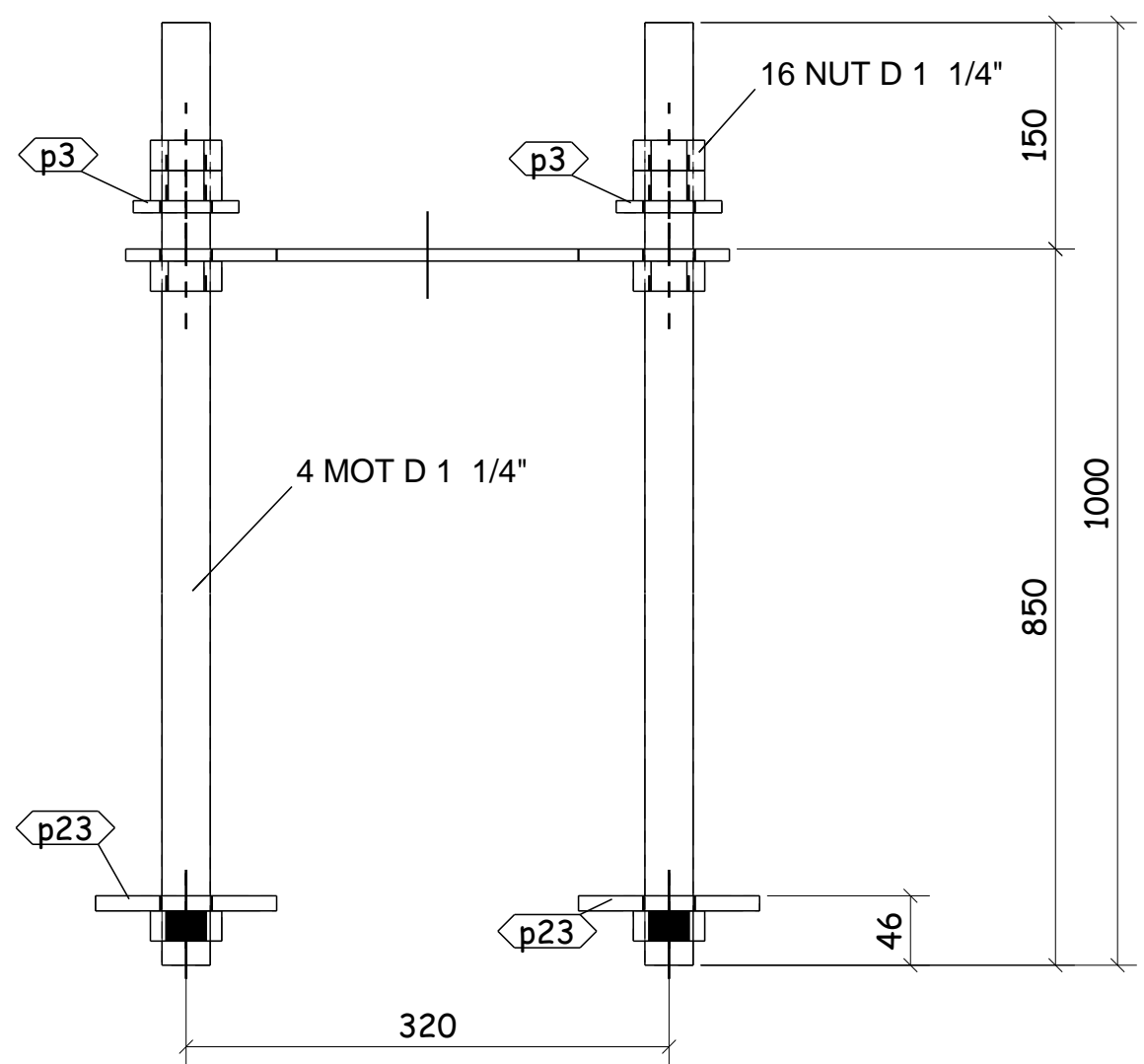
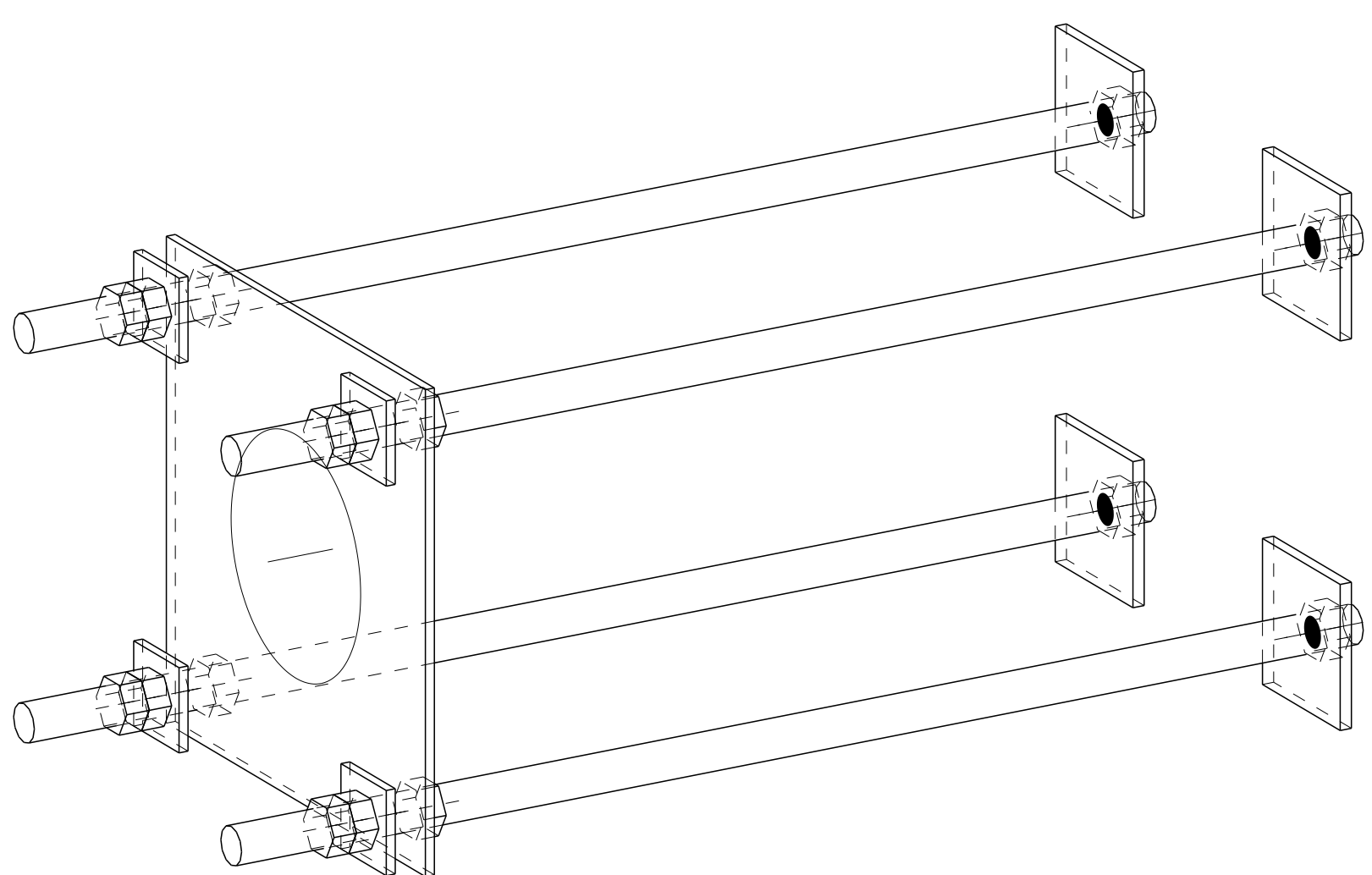
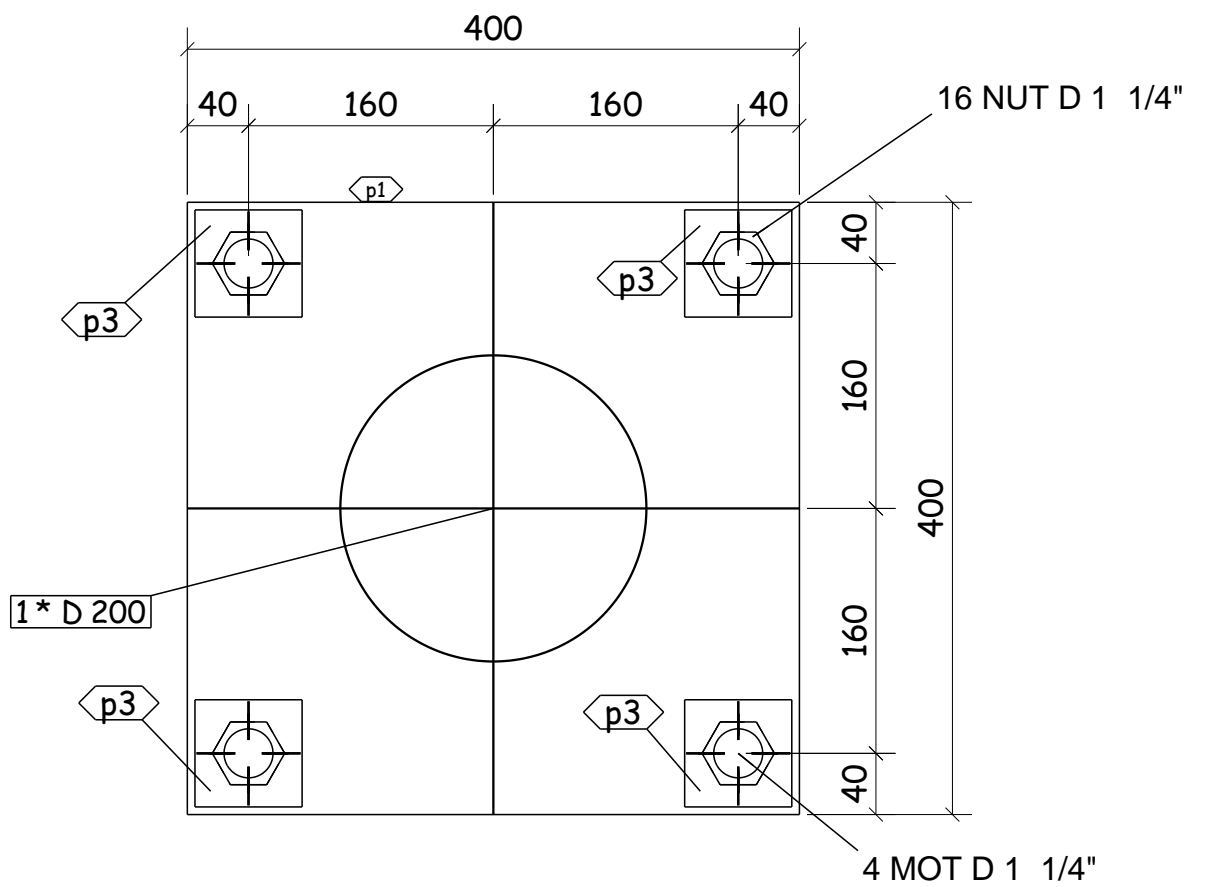



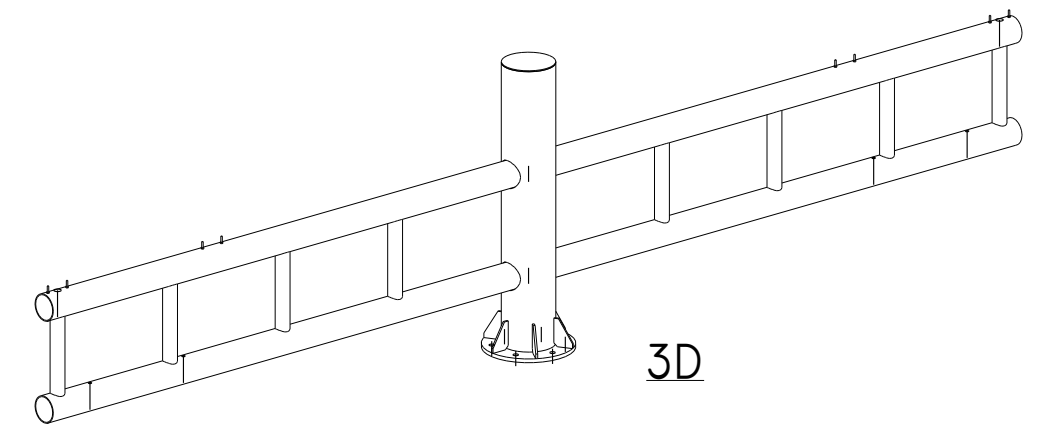
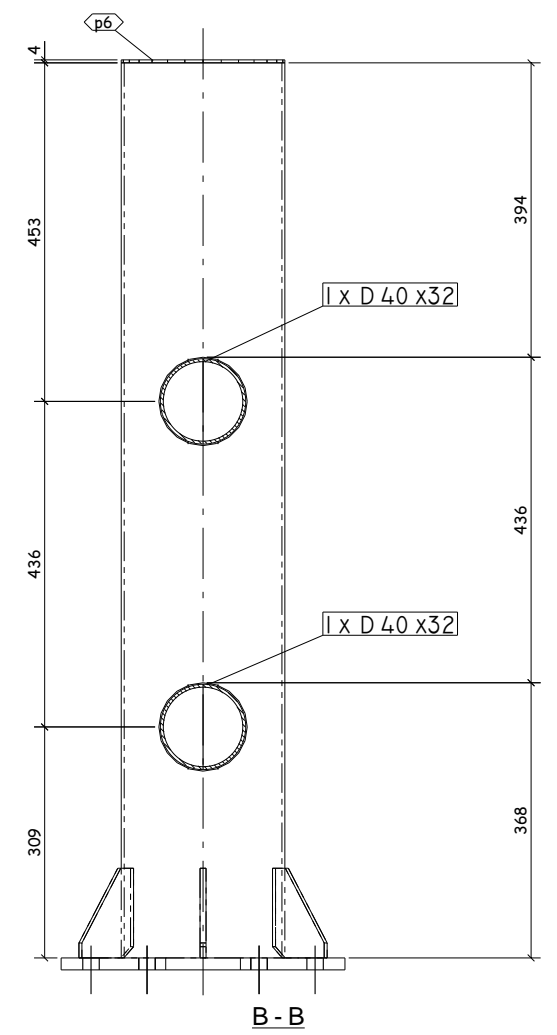
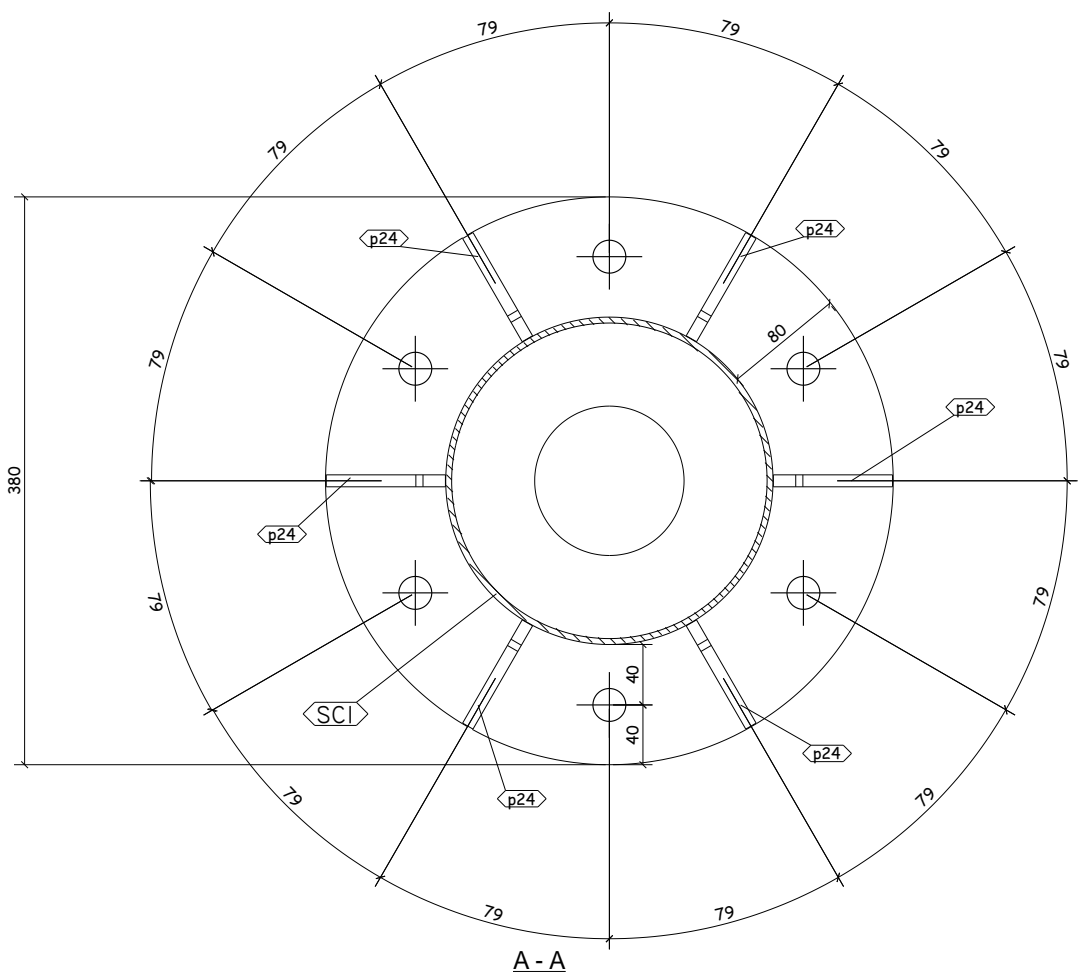
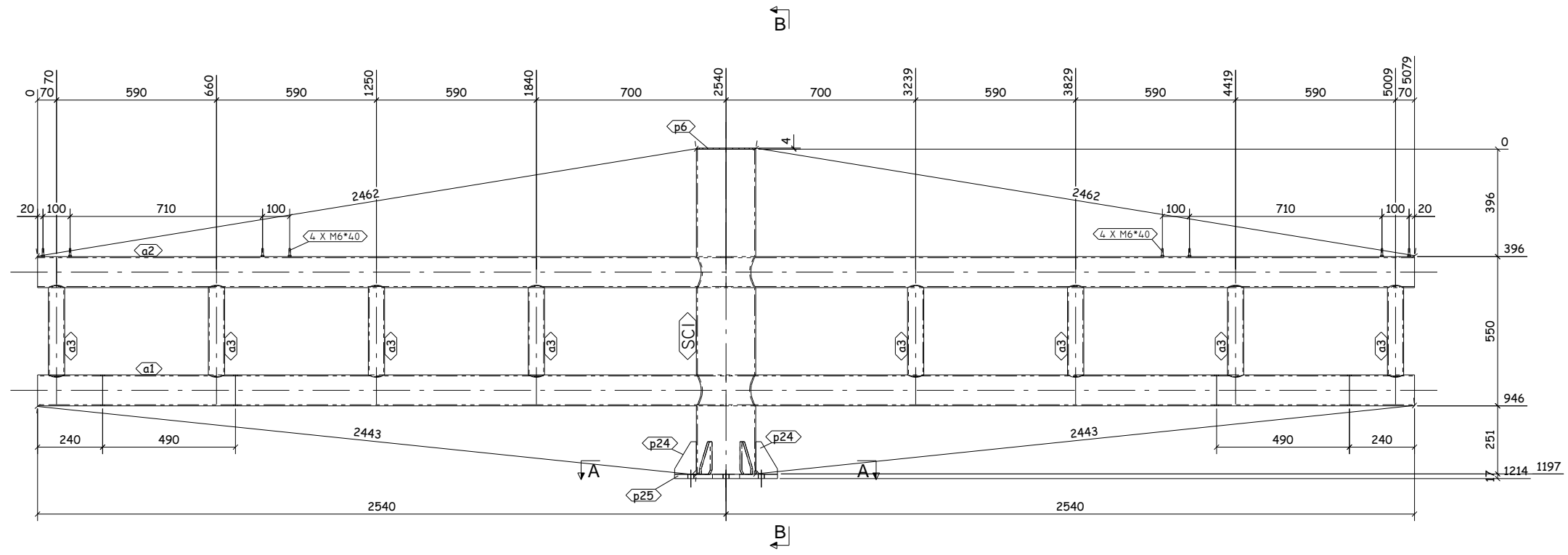
SHOP MATERIAL LIST FOR 1 ASSEMBLY						
MARK	PROFILE	GRADE	QTY	LENGTH (mm)	AREA (cm ²)	WEIGHT (kg)
NUT M20X 41		ST-37	16	20	0.092	3.66
a4	ROD 32	ST-37	4	1000	0.404	24.12
p1	PLT8*400	ST-37	1	400	0.333	10.05
p3	FLT8*70	ST-37	4	70	0.048	1.23
p23	FLT10*120	ST-37	4	120	0.134	4.52
TOTAL					1.011	43.6



3D View

QTY 2 PCS REQUIRED AS DRAWN MARKED		ABI	GALVANIZED	-YES
			COLOR	-YES
CLIENT:	IRIAT NETIVOT		 <small>Management of Amos Cohen & sons</small> Industrial Area, P.O.B.192 Netivot Zip 80200, Israel Tel: +972-8-9931333-4-5 Fax: +972-8-9945585 Email: office@adiram.co.il	
PROJECT:	AMUD MAAVAR HAZAYA			
GENERAL NOTES:	DRAWN:	GRISHA		
ALL WELDS 0.7 OF MIN PLT THICKNESS	CHECKED:	YURI		
ALL HOLES 18 MM DIAM UNO	DATE:	08.04.2014		
TOTAL WEIGHT 43.57 KG.			JOB No. / DWG No. / REV	
STEEL GRADE ST-37			51 / ABI /	

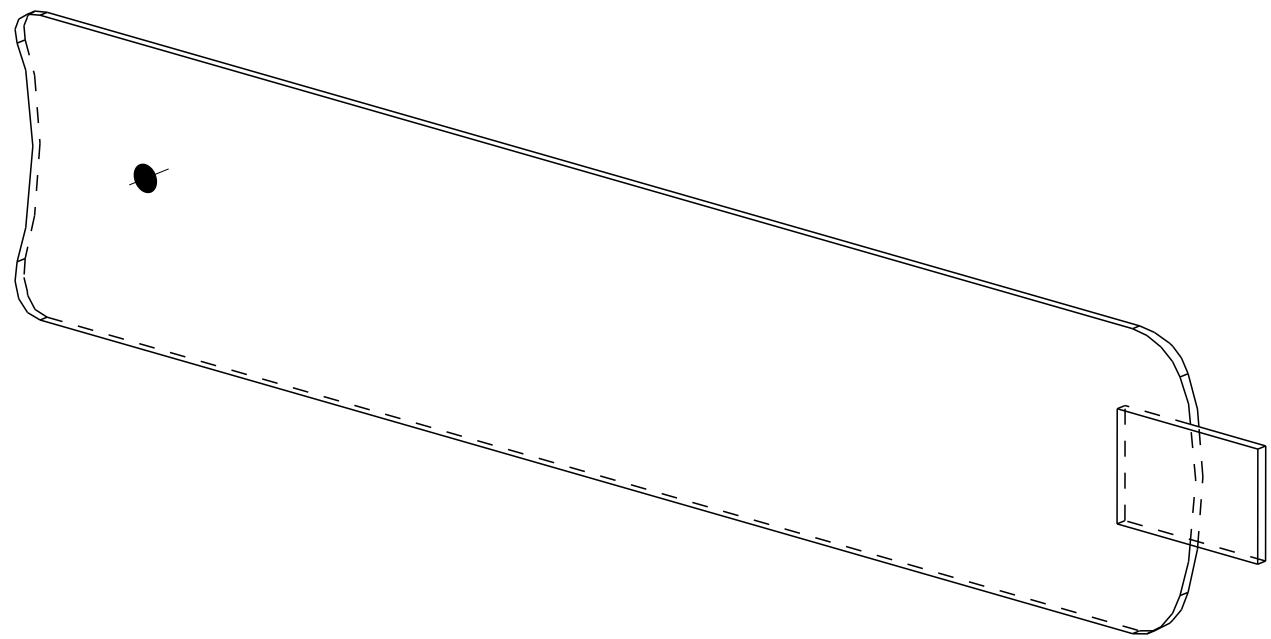
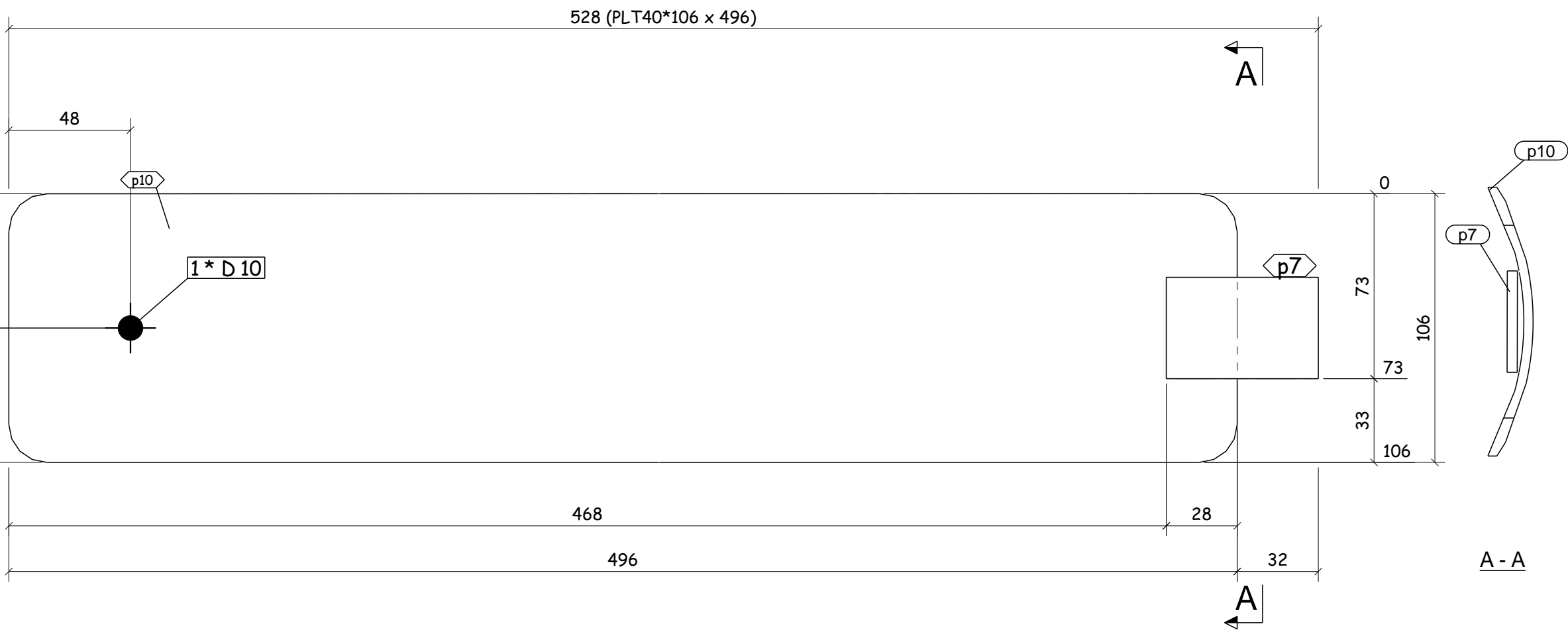
SHOP MATERIAL LIST FOR 1 ASSEMBLY							
MARK	PROFILE	GRADE	QTY	LENGTH (mm)	AREA (m ²)	WEIGHT (kg)	
SC1	TUBE219.1*3.96	ST-37	1	1198	0.783	24.96	
a1	TUBE114.3*3.96	ST-37	1	5079	1.818	53.84	
a2	TUBE114.3*3.96	ST-37	1	5079	1.818	53.84	
a3	TUBE60*3.25	ST-37	8	339	0.499	12.04	
a5	HEX10	ST-37	8	30	0.007	0.03	
p6	PLT4*217.7	ST-37	1	218	0.078	1.49	
p24	FLT8*120	ST-37	6	80	0.094	3.61	
p25	PD380*14.0	ST-37	1	16	0.185	13.17	
					TOTAL	5.281	163.0




QTY 2	PCS	REQUIRED AS DRAWN MARKED	C5	GALVANIZED	-YES
				COLOR	-YES
CLIENT: IRIAT NETIVOT					
PROJECT: AMUD MAAVAR HAZAYA					
GENERAL NOTES:			DRAWN: GRISHA		
ALL WELDS 0.7 OF MIN PLT THICKNESS			CHECKED: YURI		
ALL HOLES 22 MM DIAM UNO			DATE: 08.04.2014		
TOTAL WEIGHT 162.96 KG.			JOB No. / DWG No. / REV		
STEEL GRADE ST-37			51 / C5 /		



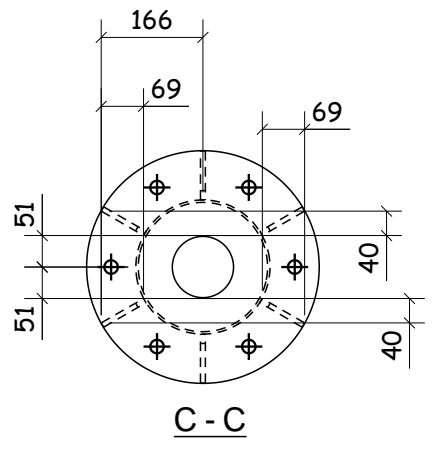
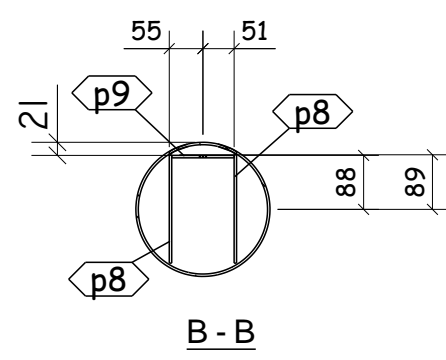
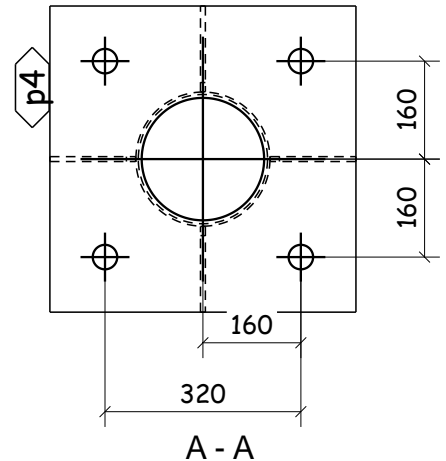
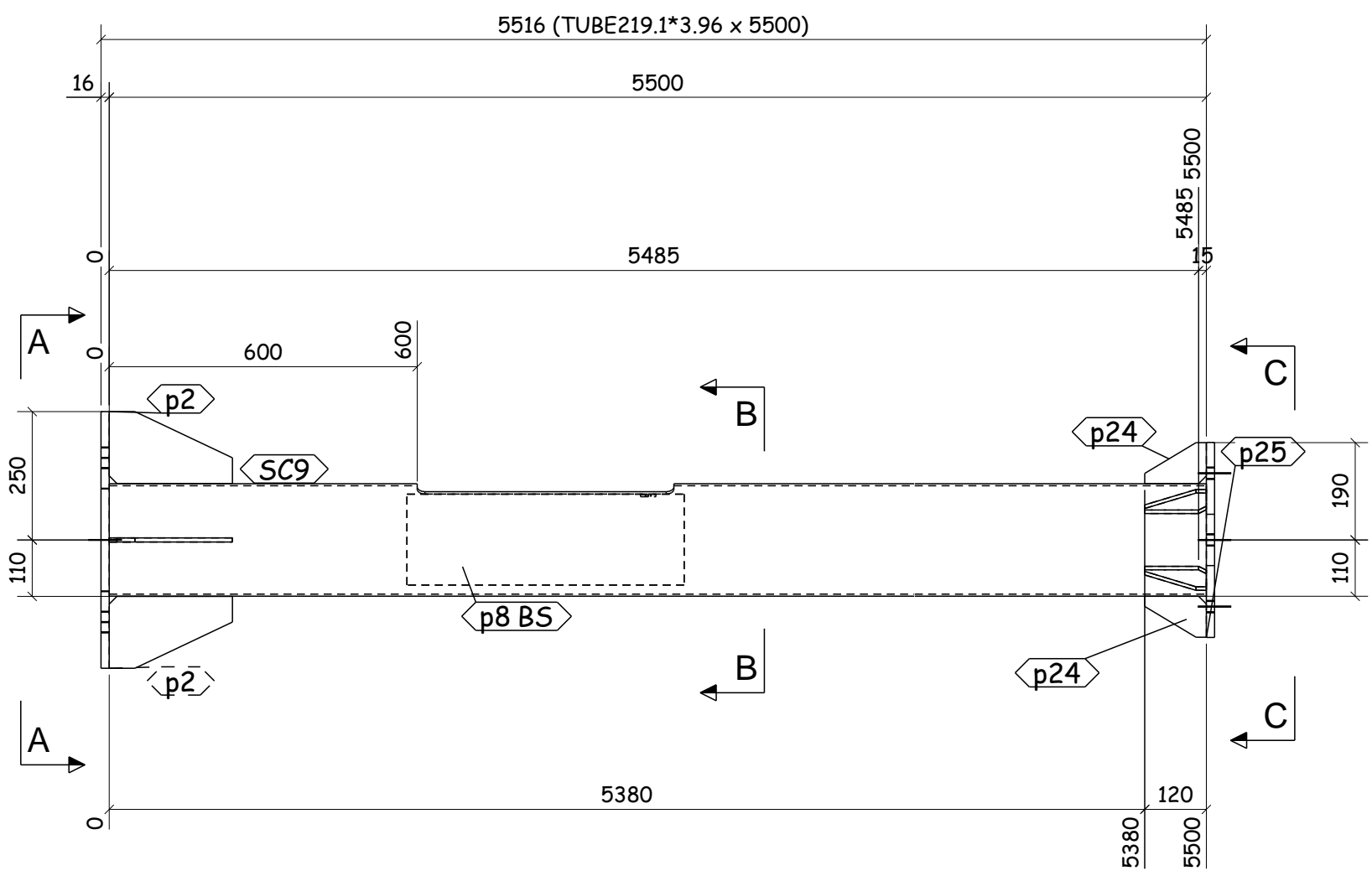
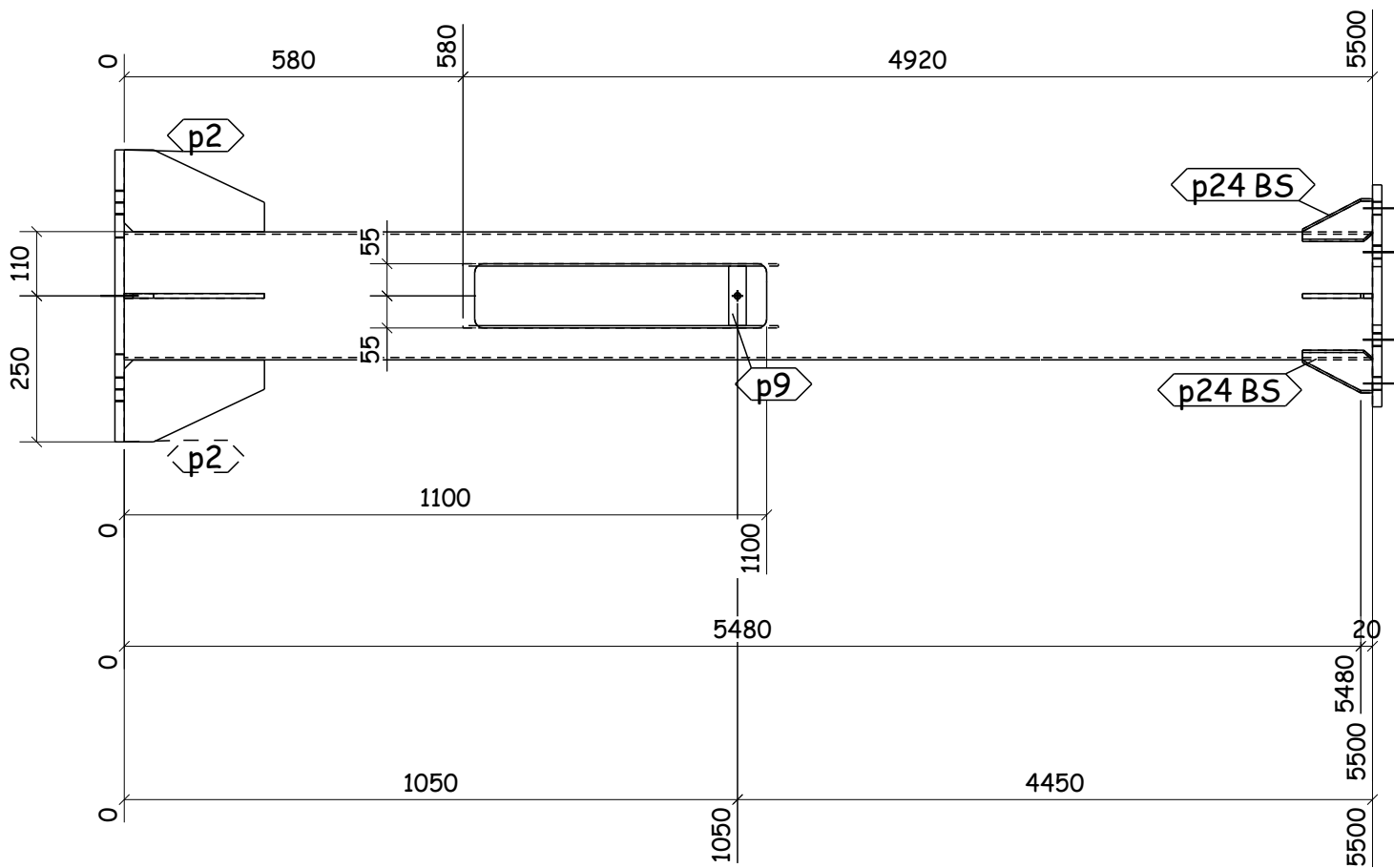
SHOP MATERIAL LIST FOR 1 ASSEMBLY						
MARK	PROFILE	GRADE	QTY	LENGTH (mm)	AREA (cm ²)	WEIGHT (kg)
p7	PLT4*40	ST-37	1	60	0.006	0.08
p10	PLT40*106	ST-37	1	496	0.114	7.36
TOTAL					0.119	7.4




3D View

QTY 2 PCS REQUIRED AS DRAWN MARKED P3		GALVANIZED	-YES
		COLOR	-YES
CLIENT:	IRIAT NETIVOT		
PROJECT:	AMUD MAAVAR HAZAYA		
GENERAL NOTES:	DRAWN:	GRISHA	
ALL WELDS 0.7 OF MIN PLT THICKNESS	CHECKED:	YURI	
ALL HOLES 18 MM DIAM UNO	DATE:	08.04.2014	
TOTAL WEIGHT 7.44 KG.			
STEEL GRADE ST-37			
		Industrial Area, P.O.B.192	
		Netivot Zip 80200, Israel	
		Tel: +972-8-9931333-4-5	
		Fax: +972-8-9945585	
		Email: office@adiram.co.il	
		JOB No.	/ DWG No. / REV
		51	/ P3 /

SHOP MATERIAL LIST FOR 1 ASSEMBLY						
MARK	PROFILE	GRADE	QTY	LENGTH (mm)	AREA (cm ²)	WEIGHT (kg)
SC9	TUBE219.1*3.96	ST-37	1	5500	3.724	114.59
p2	FLT8*140	ST-37	4	240	0.221	8.44
p4	PLT16*500	ST-37	1	500	0.532	31.40
p8	PLT4*177	ST-37	2	540	0.394	6.00
p9	PLT4*30	ST-37	1	102	0.007	0.10
p24	FLT8*120	ST-37	6	80	0.094	3.61
p25	PD380*140	ST-37	1	16	0.185	13.17
TOTAL					5.158	177.3



QTY 2 PCS REQUIRED AS DRAWN MARKED C6		GALVANIZED	-YES
		COLOR	-YES
CLIENT:	IRIAT NETIVOT		
PROJECT:	AMUD MAAVAR HAZAYA		
GENERAL NOTES:	DRAWN:	GRISHA	
ALL WELDS 0.7 OF MIN PLT THICKNESS	CHECKED:	YURI	
ALL HOLES 22 MM DIAM UNO	DATE:	08.04.2014	
TOTAL WEIGHT 177.31 KG.			
STEEL GRADE ST-37			
JOB No. / DWG No. / REV		51 / C6 /	

Tekla Structures