
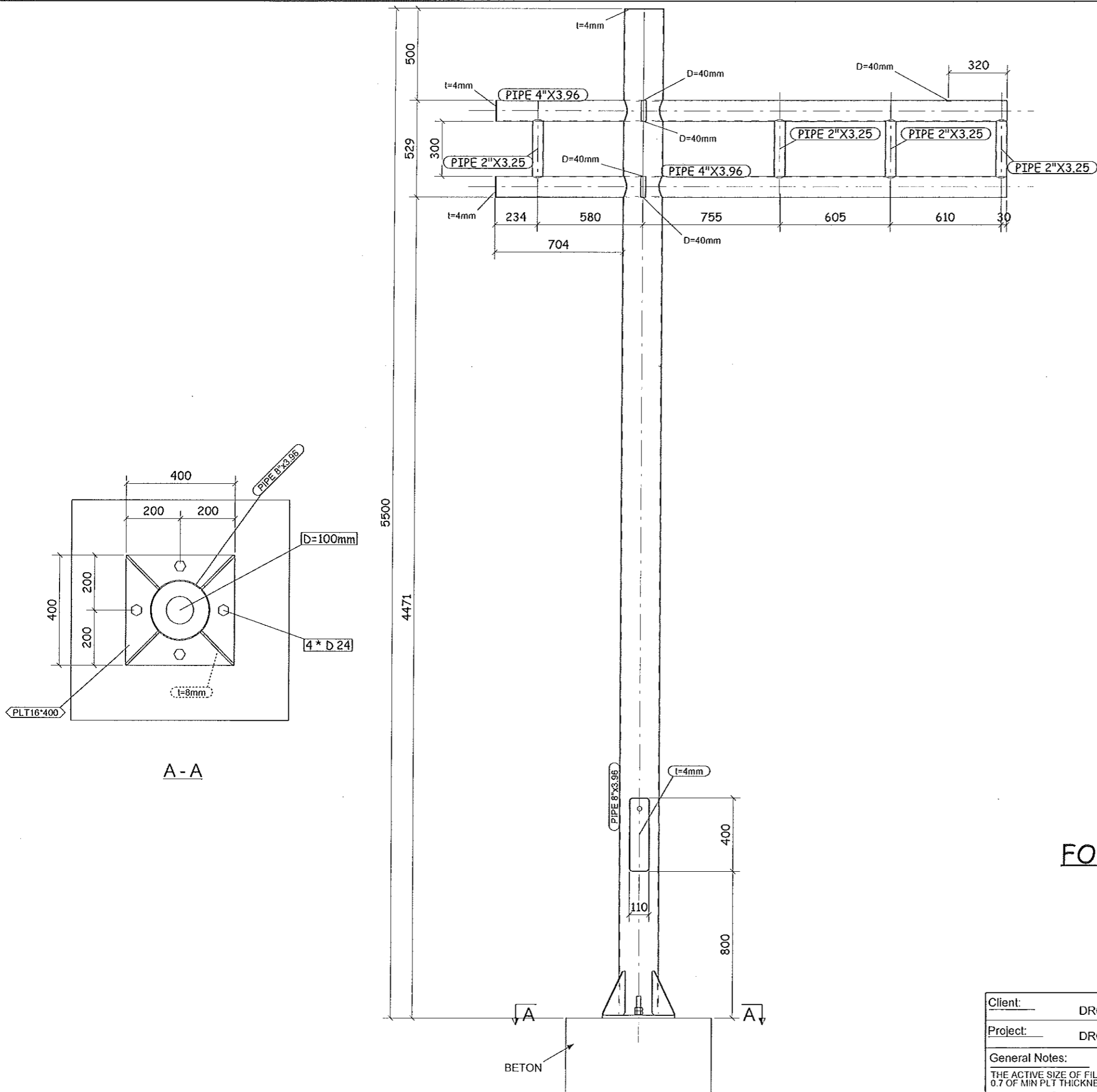



Client: DRG BUILDER		 Industrial Area, P.O.B. 192 Netivot Zip 80200, Israel Tel: +972-8-9918383-4-5 Fax: +972-8-9915585 Email: office@adiram.co.il
Project: DRG PROJ NAME		
General Notes:	Drawn: GRISHA	Job No. / Dwg No. / Rev
THE ACTIVE SIZE OF FILLET WELDS IS 0.7 OF MIN PLT THICKNESS IN JOINT UNO ALL HOLES 0 mm DIAM UNO TOTAL WEIGHT kg. STEEL GRADE	Checked: YURI	
Scale: NTS		DRG PROJ / /

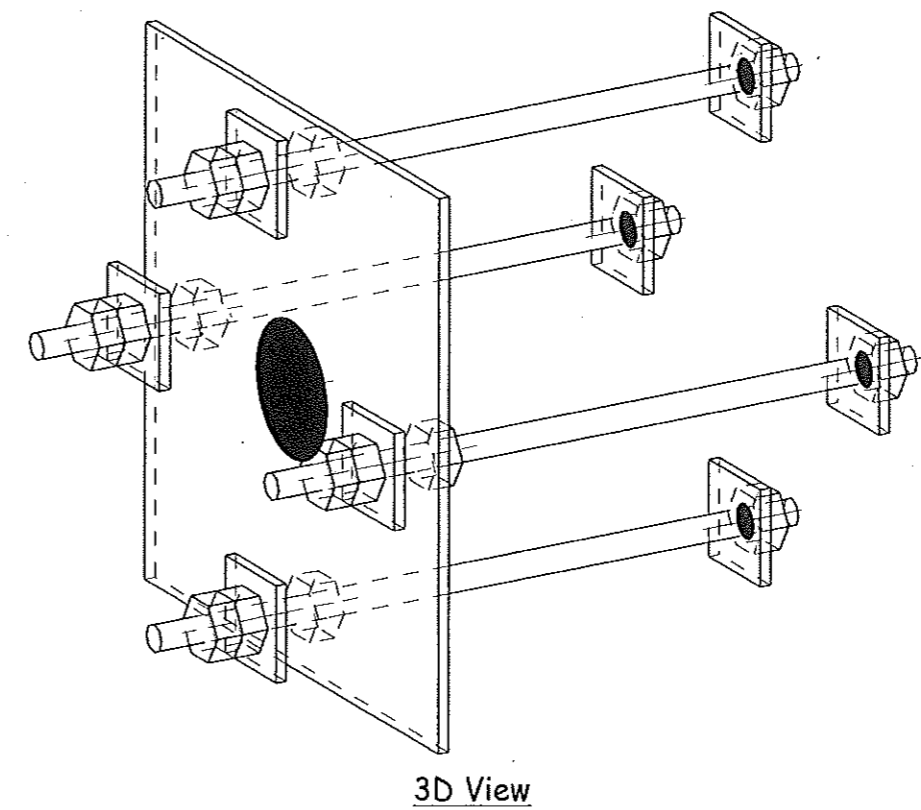
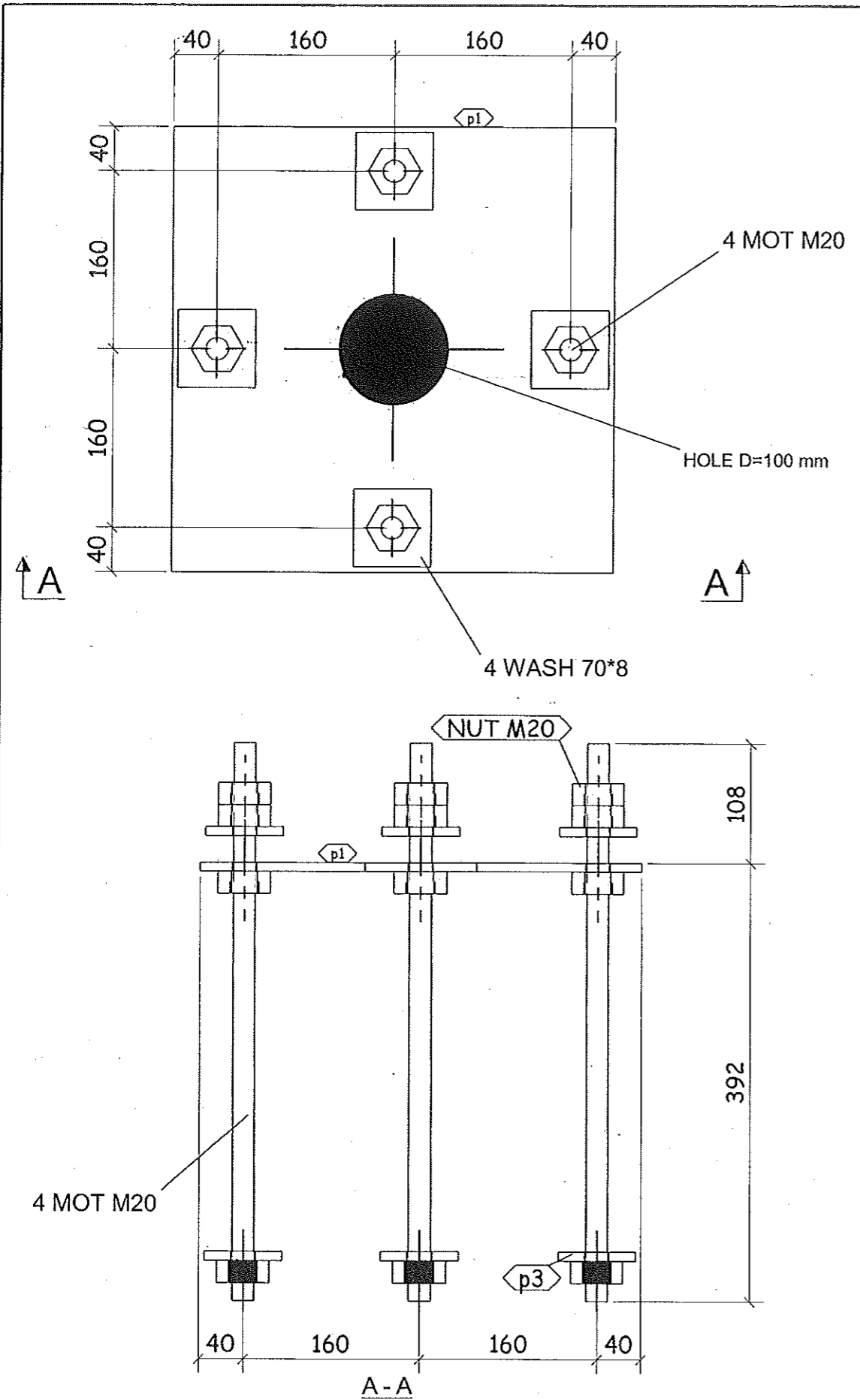


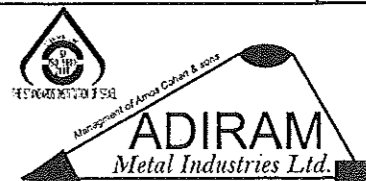
FOR APPROV

Client:	DRG BUILDER	 Industrial Area, P.O.B.192 Netivot Zip 86200, Israel Tel: +972-8-991333-4-5 Fax: +972-8-9913385 Email: office@adiram.co.il
Project:	DRG PROJ NAME	
General Notes:	Drawn: GRISHA	Job No. / Dwg No. / Rev DRG PROJ / / 13.02.2013
THE ACTIVE SIZE OF FILLET WELDS IS 0.7 OF MIN PLT THICKNESS IN JOINT UNO ALL HOLES Ø mm DIAM UNO TOTAL WEIGHT kg. STEEL GRADE	Checked: YURI Scale: NTS	

Tadla, Shindaron

SHOP MATERIAL LIST FOR 1 ASSEMBLY							
Mark	Size	Grade No.	Length (m)	Area (m ²)	Weight (kg)		
MOT M20	ØD 20	St-37	4	500	0.125	4.4	
NUT M20	ØEX 41	St-37	16	20	0.092	3.7	
p1	PLT8*400	St-37	1	400	0.333	10.0	
p3	FLT8*70	St-37	8	70	0.096	2.5	
					Total	0.646	20.6



QTY 2 PCS REQUIRED AS DRAWN MARKED p1		GALVANIZED	-YES
		COLOR	-YES
Client:	IRIAT NETIVOT	 <small>Industrial Area, P.O.B.192 Netivot Zip 80200, Israel Tel: +972-8-9331333-4-5 Fax: +972-8-9915585 Email: office@adiram.co.il</small>	
Project:	AMUD MAAVAR HAZAYA		
General Notes:	Drawn: GRISHA	Job No. / Dwg No. / Rev	
THE ACTIVE SIZE OF FILLET WELDS IS 0.7 OF MIN PLT THICKNESS IN JOINT UNO	Checked:	51 / p1 /	
ALL HOLES 18 mm DIAM UNO	Scale: NTS		
TOTAL WEIGHT 21 kg.			
STEEL GRADE St-37			

Tekla Structures